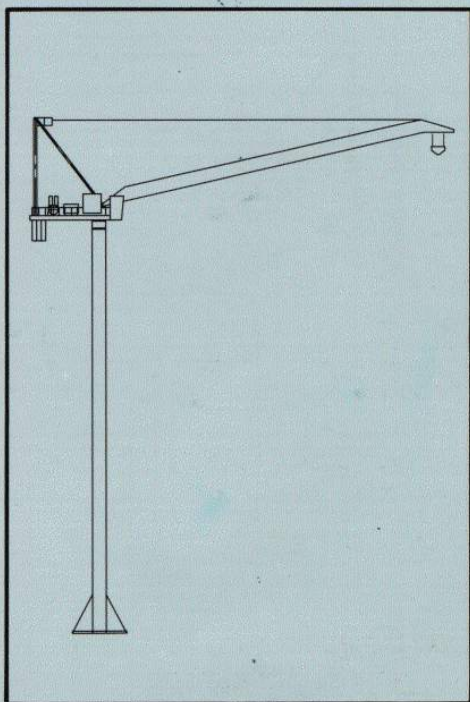




LK 2542

**TOWER CRANES FOR CONSTRUCTION SITES
STATIC & INTERNAL CLIMBING**

*Complies with following international standards
DIN 15018 H1 B3 UNI CNR 10011-10021 FEM*

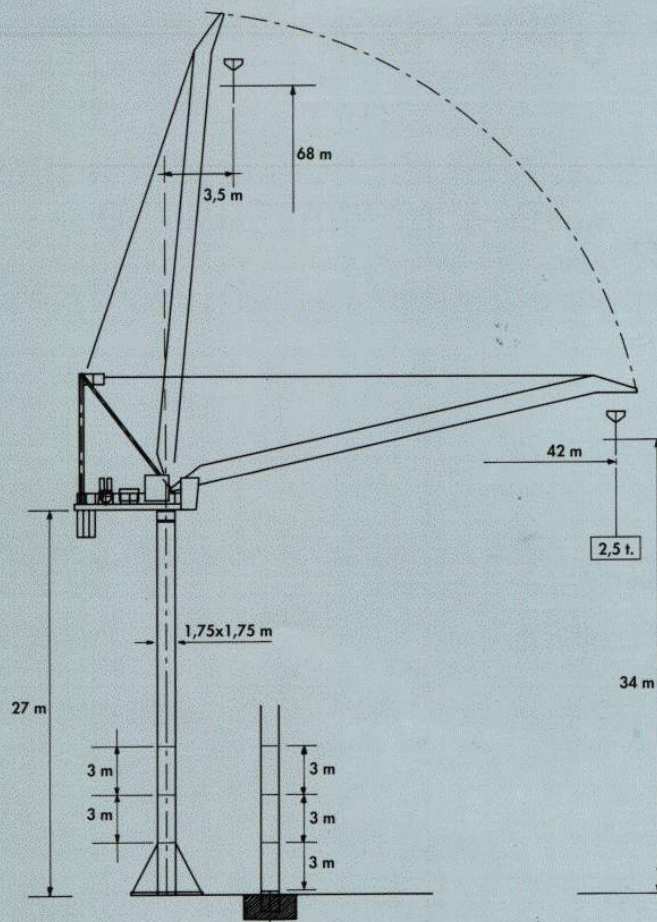


Rotating panoramic cabin

Electronic slewing

LK 2542 T17.5 P8

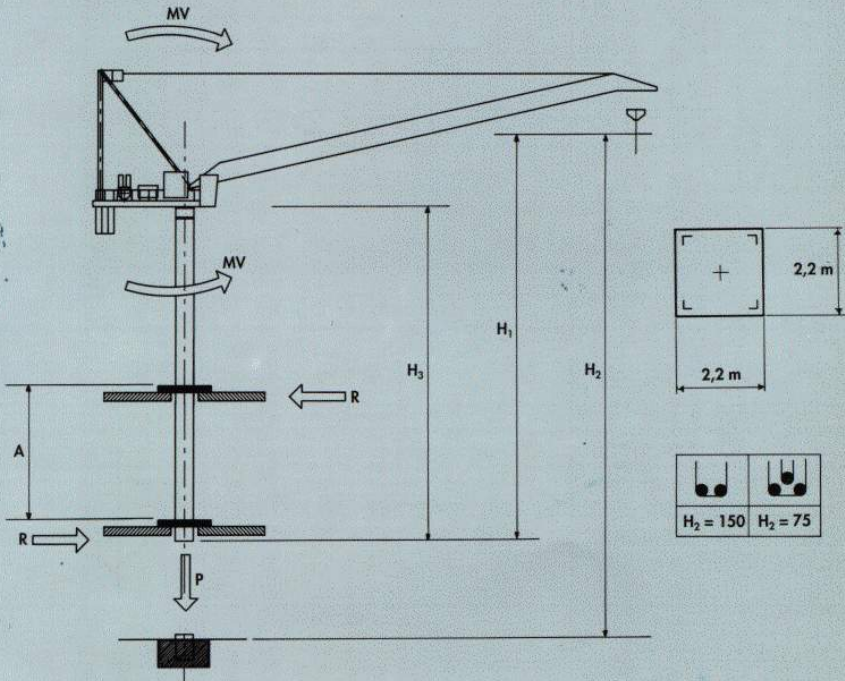
Standing crane



Load diagrams

Jib (m)	●●						●●							
	16 m	18 m	20 m	22 m	24 m	26 m	28 m	30 m	32 m	34 m	36 m	38 m	40 m	42 m
(t)	10	9,17	8	7,05	6,25	5,56	5	4,5	4,06	3,68	3,33	3,03	2,75	2,5

Climbing crane



H_1 (m)	H_3 (m)	A (m)	P (t)	R (t)	MV Maximum vertical moment (tm)	MT (tm)
28	21	9	52	27,3	210	15
		12		21,5		
31	24	9	52	28,5	220	15
		12		22,3		

Mechanisms

		m/min	Kg	KW		
Hoisting	S 33-400	↑	3a	0 → 70	1500	24 KW (33 HP)
			2a	0 → 35	3000	
			1a	0 → 8,7	5000	
			3a	0 → 35	3000	
			2a	0 → 17,5	5000	
	D 44 - 400	↑	1a	0 → 4,35	10000	32 KW (44 HP)
			5a	0 → 90	1250	
			4a	0 → 60	2500	
			3a	0 → 30	2500	
			2a	0 → 15	5000	
			1a	0 → 3,5	5000	
			5a	0 → 45	2500	
			4a	0 → 30	5000	
			3a	0 → 15	5000	
			2a	0 → 7,5	10000	
D 50 - 400	↑	1a	0 → 1,75	10000	37 KW (50 HP)	
		5a	0 → 90	1500		
		4a	0 → 60	2800		
		3a	0 → 30	3000		
		2a	0 → 15	5000		
		1a	0 → 3,5	5000		
		5a	0 → 45	3000		
		4a	0 → 30	5600		
		3a	0 → 15	6000		
		2a	0 → 7,5	10000		
1a	0 → 1,75	10000				
Stepless	15° 83°	1,5 min.				
Stewing		3a	0 → 0,8	Tr/min	N° 3 Motor 6,5 kgm 12 KW	
	2a	0 → 0,6	U/min			
	1a	0 → 0,2	rp/min			
Necessary electric power	50 HZ 380 V	S 33-400 60 KW	D 44-400 60 KW	D 50-400 100 KW		

FMGRU
FUOCHI-MILANESI & C.
S.A.S.

Via Emilia, 11 - 29010 PONTENURE (PC) - Italy
Tel. 0523/51146 - 51184 - 510446 ric. aut.
Fax 0523/510365 Telex N. 530858 FM GRU I

한도엔지니어링상사
서울특별시 영등포구 영등포동8가 37
전화 (02)6 7 7 - 0 3 3 7 ~ 8

Modifiche riservate / Modifications reserves / Änderungen vorbehalten / Substr to modification / Modificaciones reservadas

FuchsCratica - E.600020