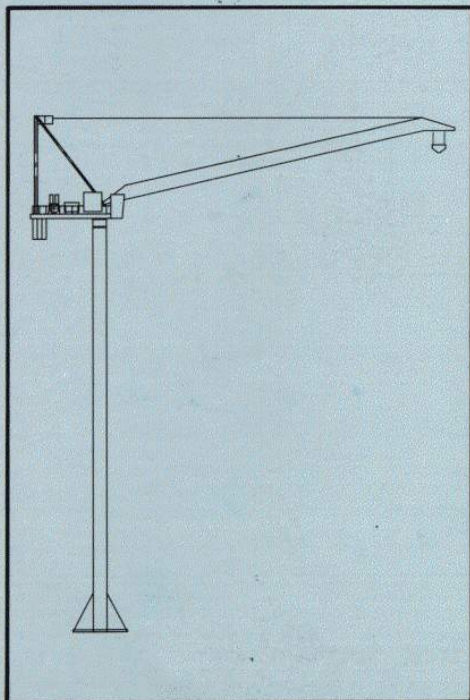




LK 10040

**TOWER CRANES FOR CONSTRUCTION SITES
STATIC & INTERNAL CLIMBING**

*Complies with following international standards
DIN 15018 H1 B3 UNI CNR 10011-10021 FEM*

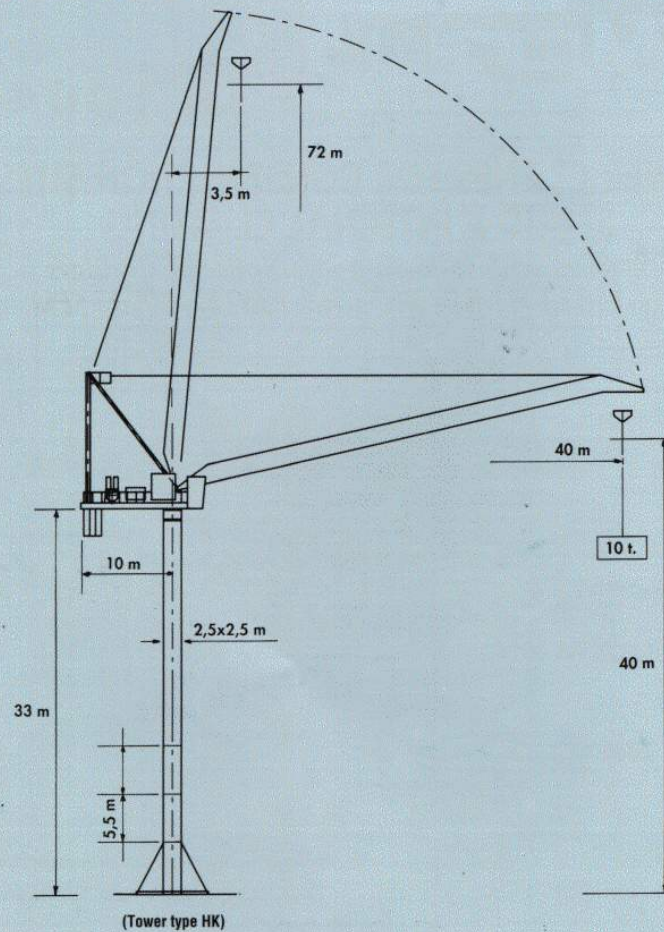


Rotating panoramic cabin

Electronic slewing

LK 10040 T25 P16

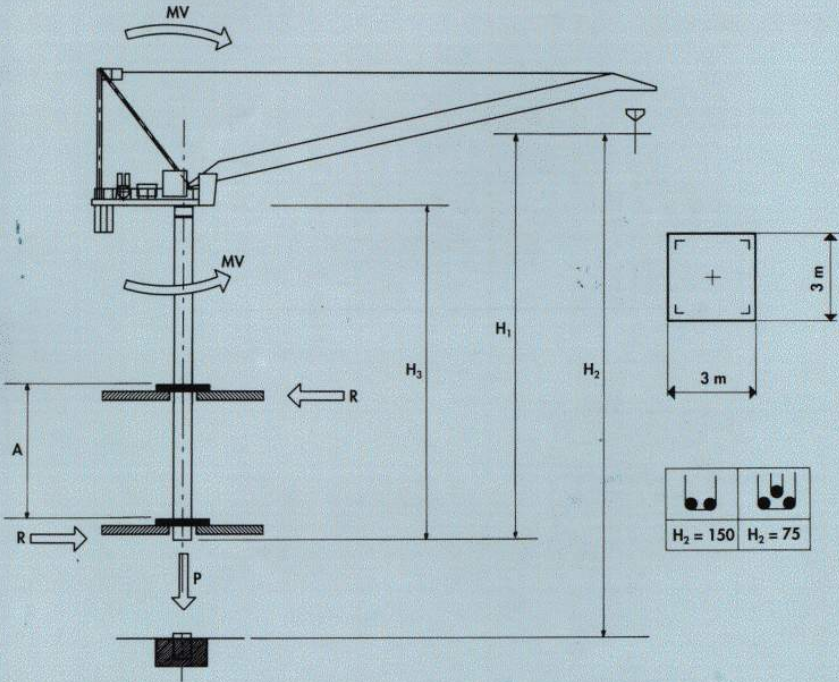
Standing crane



Load diagrams

Radial (m)	26	28	30	32	34	36	38	40
	m	m	m	m	m	m	m	m
(t)	16	16	15	13,5	12,5	12	11	10

Climbing crane



H_1 (m)	H_3 (m)	A (m)	P (t)	R (t)	MV Maximum vertical moment (tm)	MT (tm)
34	27	9	150	7,5	550	75
		12		5,8		
40	33	9	153	78	570	75
		12		66		

Mechanisms

		m/min	Kg	KW		
Hoisting	 D 80 - 550		5a	0 → 86	2500	59 KW (80 HP)
			4a	0 → 60	4000	
			3a	0 → 43	6000	
			2a	0 → 17	8000	
			1a	0 → 4	8000	
			5a	0 → 43	5000	
			4a	0 → 30	8000	
			3a	0 → 11,5	12000	
			2a	0 → 8,5	16000	
			1a	0 → 2	16000	
Stepless	 15° 83°	2,5 min.				
Slewing		3a	0 → 0,6	Tr/min	N° 4 Motor 6,5 kgm 26 KW	
		2a	0 → 0,4	U/min		
		1a	0 → 0,5	rp/min		
Necessary electric power		50 HZ 380 V			D 80-550 120 KW	

FUOCHI-MILANESI & C.
 S.A.S.
 Via Emilia, 11 - 29010 PONTENURE (PC) - Italy
 Tel. 0523/510446 ric. aut. Fax 0523/510365

한도엔지니어링상사
 서울특별시 영등포구 영등포동8가 57
 전화 (02)6 7 7 - 0 3 3 7 ~ 8

Modifiche riservate / Modifications reserved / Änderungen vorbehalten / Subject to modification / Modificazioni riservate

FUOCHI-MILANESI & C. S.A.S.