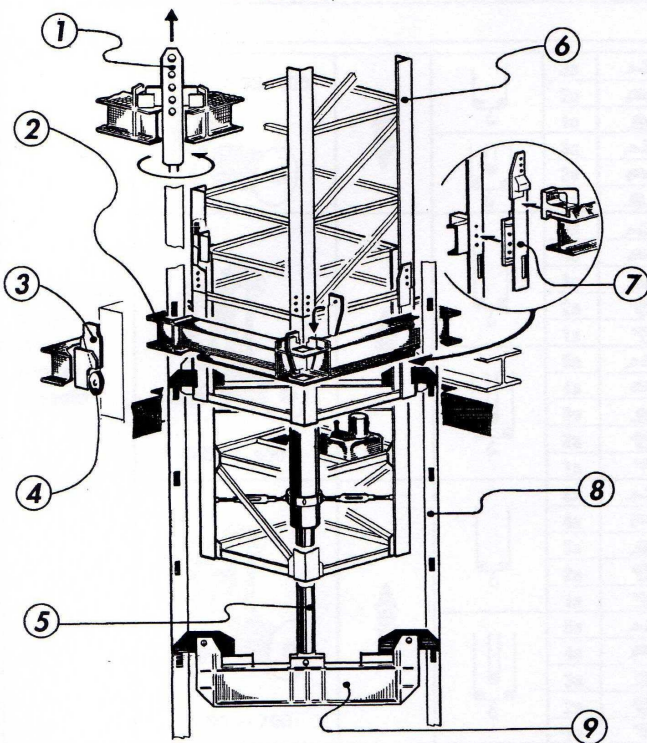
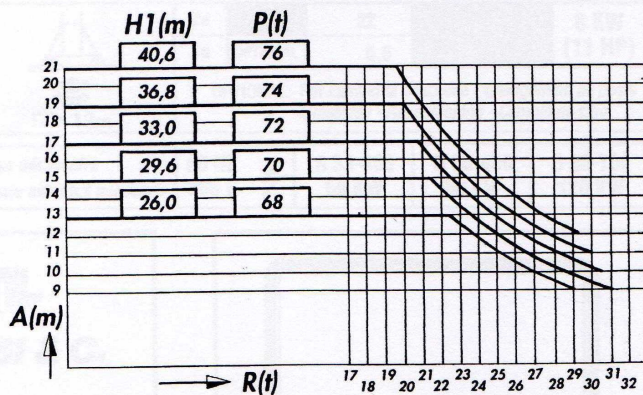
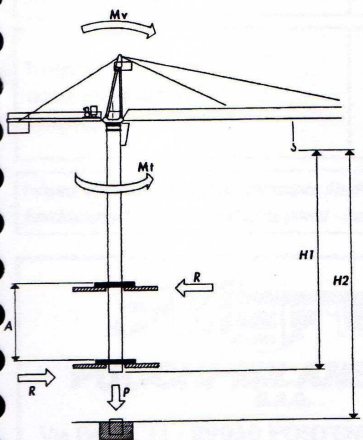
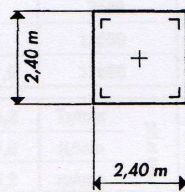
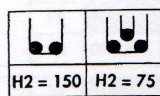


Climbing crane

PATENTED



- ① STAIR SUPPORT
- ② CLIMBING TIE
- ③ CLAMPING PLUGS
- ④ ROLLER
- ⑤ HYDRAULIC JACK
- ⑥ MAST
- ⑦ FIXING BRACKETS
- ⑧ CLIMBING STAIRS
- ⑨ CROSS SLIDE



FMGRU

MI 2560K

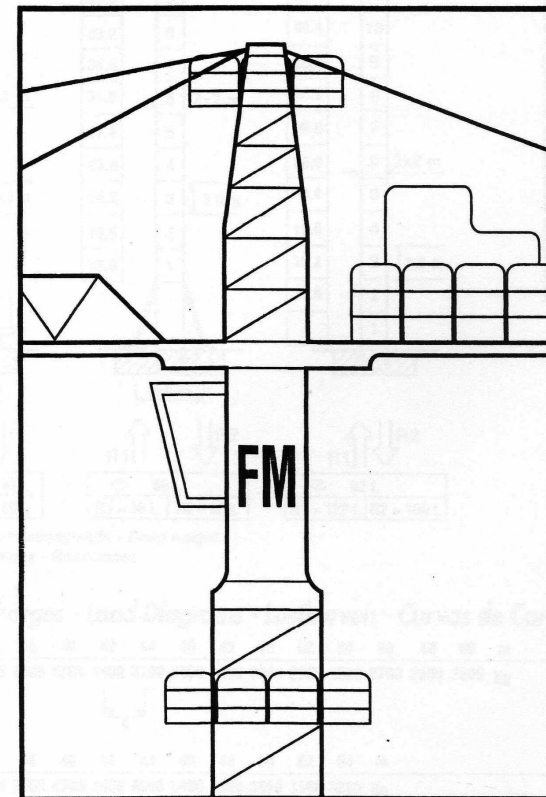
GRU A TORRE PER CANTIERI EDILI
TOWER CRANES FOR CONSTRUCTION SITES
STATIC & INTERNAL CLIMBING

Complies with following international standards
DIN 15018 H1 B3; UNI CNR 10011-10021; FEM

Montaggio idraulico
 Hydraulic mounting
 Montage hydraulique
 Montaje hidráulico
 Hydraulische lagerung

Cabina panoramica rotante
 Rotating panoramic cabin
 Cabine panoramique tournante
 Cabina panoràmica con rotaciòn
 Drehende aussichtskabine

Rotazione elettronica
 Electronic slewing
 Orientation electronique
 Rotaciòn electrónica
 Elektronische drehung



MI 2560K T20 P12 A50

Dimensioni - Cotes - Dimensions - Abmessungen - Dimensiones

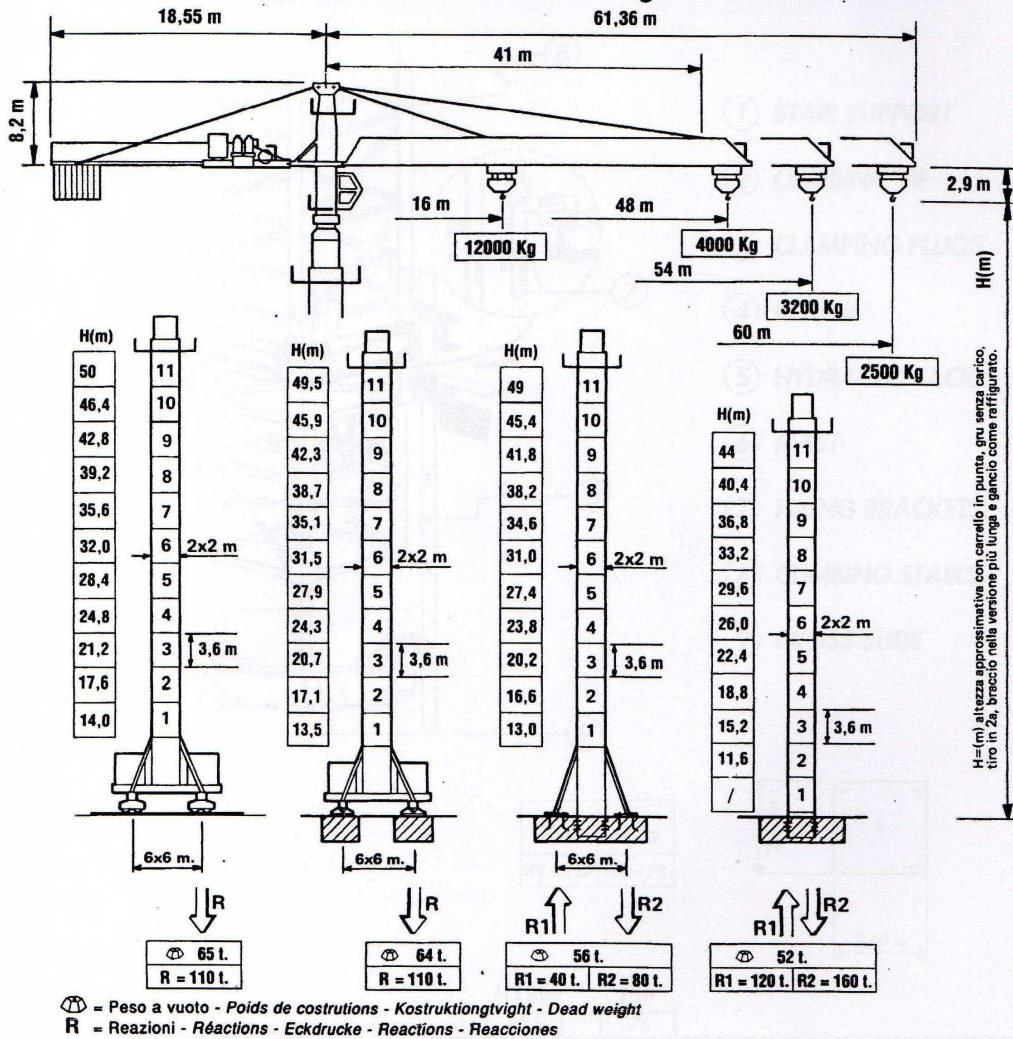


Diagramma dei carichi - Courbes de Charges - Load Diagrams - Lastkurven - Curvas de Cargas

