



대한민국
타워크레인 대표기업

18Ton / 55m Luffing Crane의 최강자—

LUFFING CRANE

HKL1855

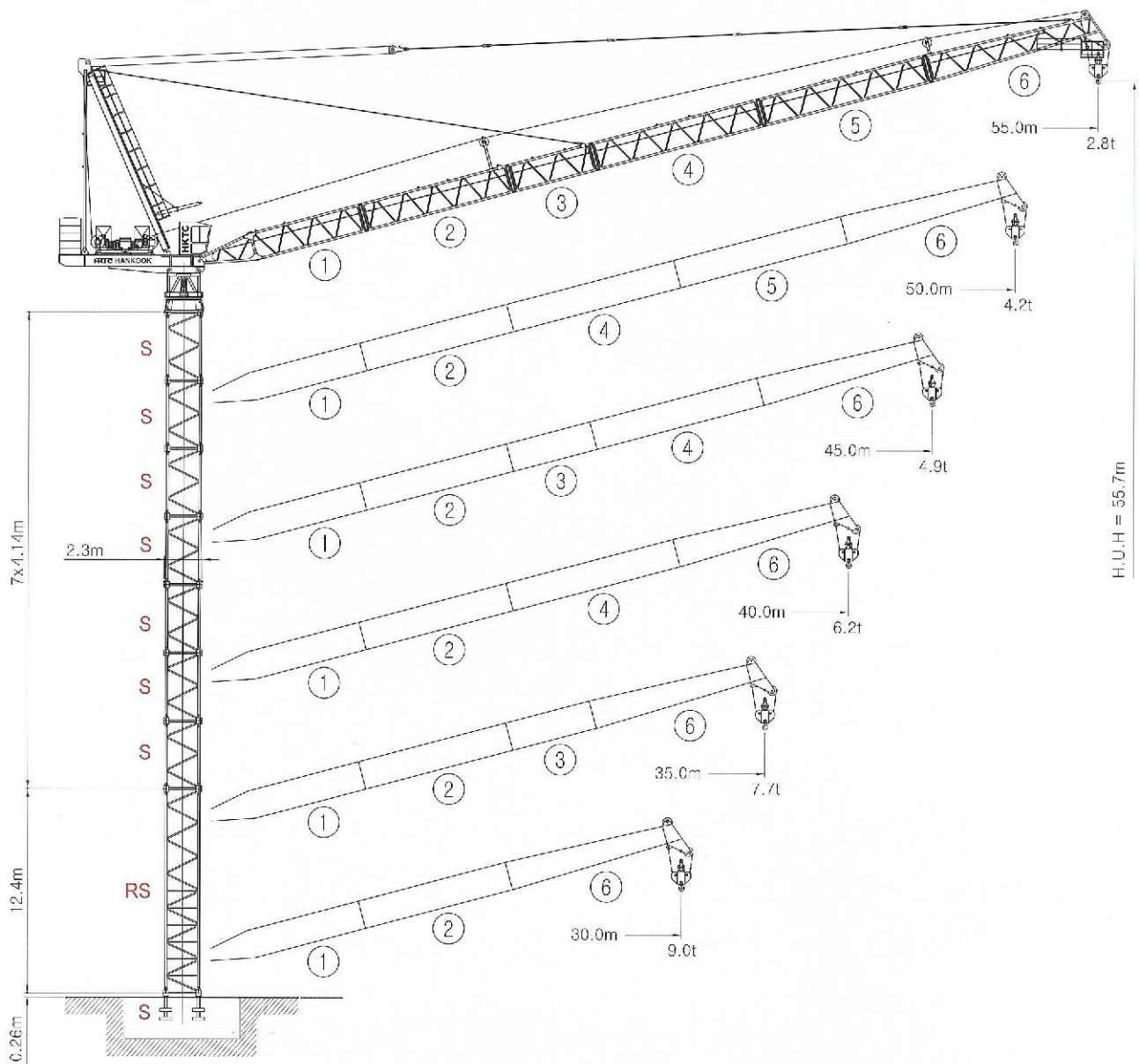
HKL1855 LUFFING CRANE



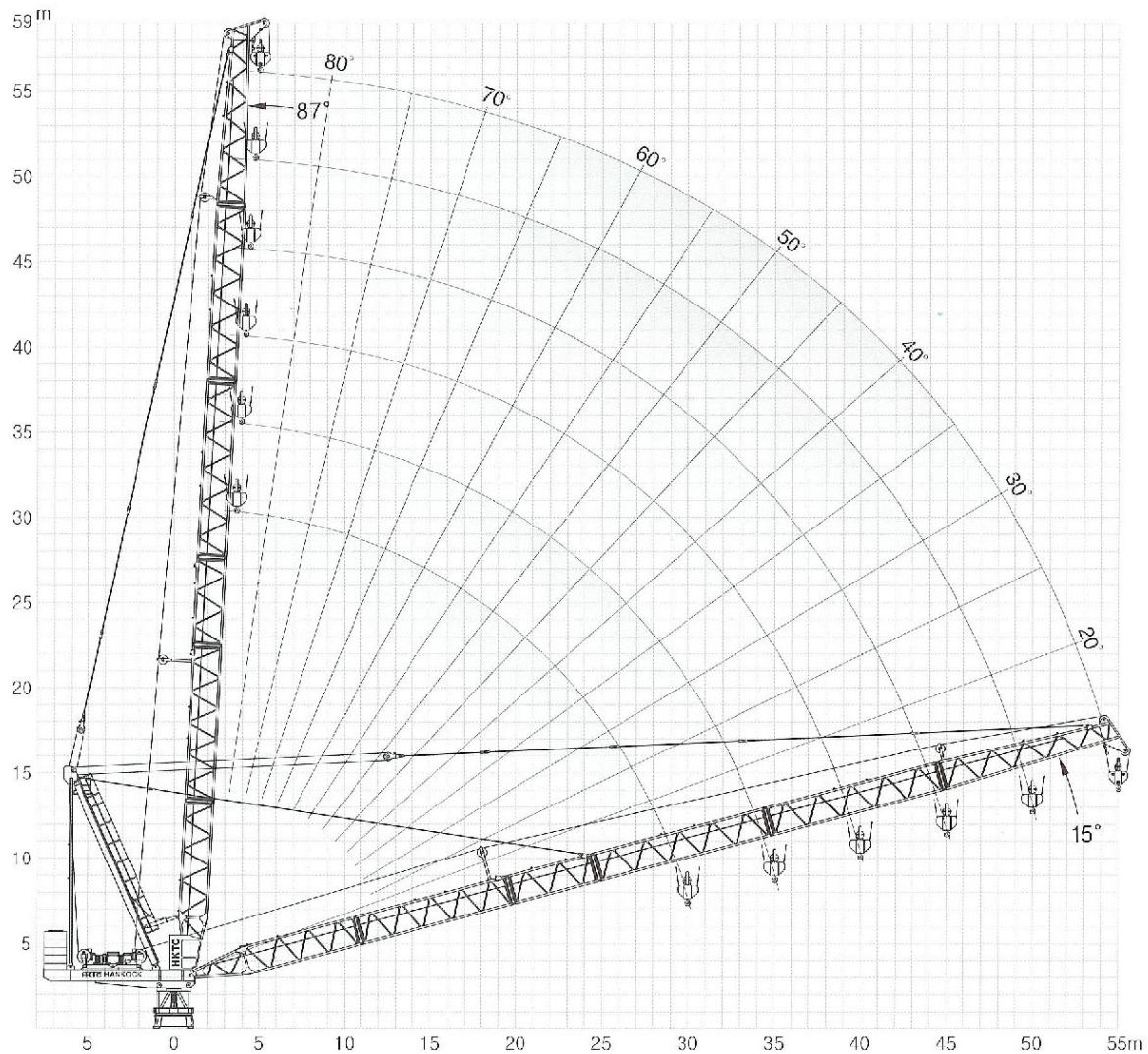
HANKOOK TOWER CRANE

LUFFING CRANE

HKL1855



Radius and Hoisting height















Tower height

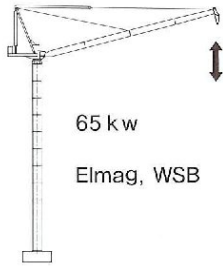

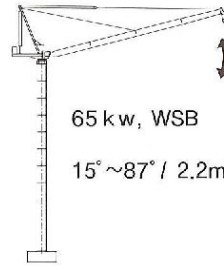
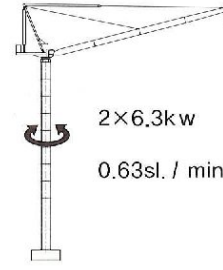

Number of tower sections	290HC Reinforced Tower Section (2.3×2.3×4.14m)	
	Jib length	
	30 / 35m	40 / 45 / 50 / 55m
0	12.7 (RS)	12.7 (RS)
1	16.8 (S)	16.8 (S)
2	21.0 (S)	21.0 (S)
3	25.1 (S)	25.1 (S)
4	29.3 (S)	29.3 (S)
5	33.4 (S)	33.4 (S)
6	37.5 (S)	37.5 (S)
7	41.7 (S)	41.7 (S)
8	45.8 (S)	—

※ All tower section use reinforced tower section (special tower section).

Radius and capacity

Length of jib		MAX. Capacity m/kg	Radius and capacity															
Radius(m)			18	20	23	25	28	30	33	35	38	40	43	45	48	50	53	55
55m		5,4-27,2m 9000kg	9000	9000	9000	9000	9000	8240	7060	6390	5530	5020	4360	3970	3460	3150	2850	2800
		5,4-27,8m 9000kg	9000	9000	9000	9000	9000	8610	7430	6770	6190	5750	5190	4850	4480	4200		
50m		5,4-16,5m 18000kg	17130	14890	12280	10910	9230	8300	7140	6480	5910	5480	4940	4600	4250	4010		
		5,4-29,0m 9000kg	9000	9000	9000	9000	9000	8880	7710	7040	6470	5960	5290	4900				
45m		5,4-16,6m 18000kg	17420	15180	12580	11200	9520	8600	7440	6780	6220	5720	5070	4700				
		5,4-30,0m 9000kg	9000	9000	9000	9000	9000	9000	8090	7430	6720	6230						
40m		5,4-17,3m 18000kg	17820	15570	12970	11600	9930	9010	7850	7190	6500	6030						
		5,4-30,8m 9000kg	9000	9000	9000	9000	9000	9000	8350	7700								
35m		5,4-17,4m 18000kg	18000	15840	13240	11870	10200	9290	8140	7510								
		5,4-30,0m 9000kg	9000	9000	9000	9000	9000	9000										
30m		5,4-17,7m 18000kg	18000	16240	13650	12280	10620	9730										
																		

Driving unit speed

Hoisting		Gear		kg	m/min	Luffing		Slewing	
 <p>65 kw Elmag, WSB</p>		1	9000	1.4 / 27.1	 <p>65 kw, WSB 15° ~ 87° / 2.2min</p>	 <p>2x6.3kw 0.63sl. / min</p>			
		2	5000	3.2 / 62.7					
		3	2100	6.7 / 128.8					
		1	18000	2.8 / 13.5					
		2	10000	6.4 / 31.4					
		3	4200	13.4 / 64.4					

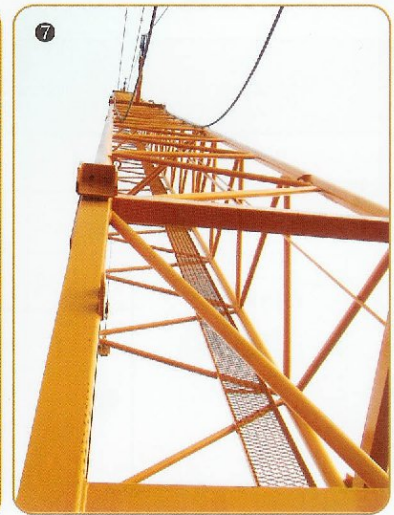
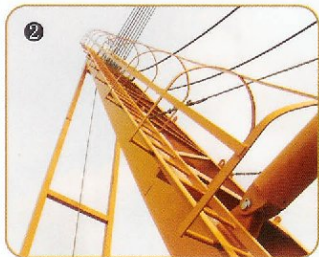
Components

HKL1855 LUFFING CRANE

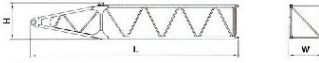
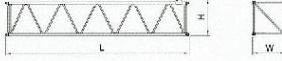

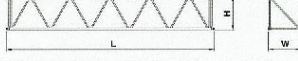

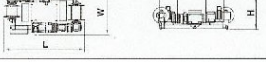

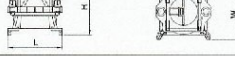
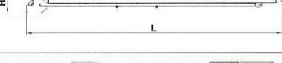

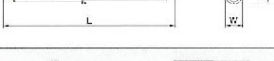
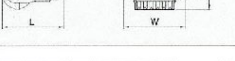
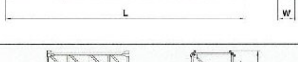

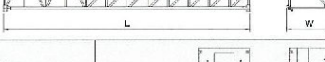



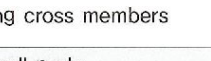
18TON LUFFING CRANE



- ① HOISTING & LUFFING GEAR
- ② A-FRAME
- ③ HOISTING DRUM
- ④ SPRING STOPPER
- ⑤ LUFFING DRUM
- ⑥ COUNT JIB & BALLAST BLOCK
- ⑦ BOOM SECTION



HKL1855 Packing List

Item	Dimension (L × W × H)	Quantity	Length (m)	width (m)	Height (m)	Unit Weight (kg)	Total Weight (kg)
#1 Boom		1	10.48	1.73	1.85	2250	2250
#2 Boom		1	9.26	1.62	1.88	1230	1230
#3 Boom		1	5.3	1.62	1.88	750	750
#4, #5 Boom		2	10.47	1.62	1.72	1280	2560
#6 Boom		1	11.3	1.62	2.75	1370	1370
Luffing, Hoist ass'y		1	4.06	2.44	1.68	7700	7700
Counter jib		1	8.84	2.3	1.35	7070	7070
Turn Table ass'y		1	2.74	2.62	2.85	7630	7630
A-Frame		1	12.85	1.79	1.1	4270	4270
Cabin		1	4.10	2.08	2.45	970	970
Spring Stopper		2	2.88	0.29	0.98	260	520
Mobile Tackle		1	1.04	1.04	0.54	385	385
A-Frame Ladder		1	12.05	0.87	0.72	240	240
S / Tower section		7	4.14	2.3	2.3	2600	18200
Base tower section		1	12.41	2.3	2.3	7950	7950
Ballast block	"A" Type 	1	2.55	0.97	1.3	5000	5000
	"B" Type 	4	3.6	0.5	1.3	5000	20000
Guide section cpl		1	8.39	2.80	2.50	4070	4070
Platforms		1	5.00	1.50	2.00	2300	2300
Hydraulic system, supporting and climbing cross members		1	2.10	1.25	1.00	800	800
Others	Crate with small parts, foundation anchor, pendant wire rope	1	1.7	1.0	1.5	3000	3000

HKTC 한국타워크레인(주)
HanKook Tower Crane Co.,Ltd.

■ 본사 · 공장
경남 창원시 대원동 91-10
TEL : (055)238-0009
FAX : (055)238-0006

■ Head Office
91-10 Daewon-dong, Changwon, Gyeongnam, Korea
TEL : +82-55-238-0009
FAX : +82-55-238-0006

■ 서울사무소
서울시 서초구 양재동 307
TEL : (02)576-6262
FAX : (02)573-1785

■ Seoul Office
307 Yangjae-dong, Seocho-gu, Seoul, Korea
TEL : +82-2-576-6262
FAX : +82-2-573-1785