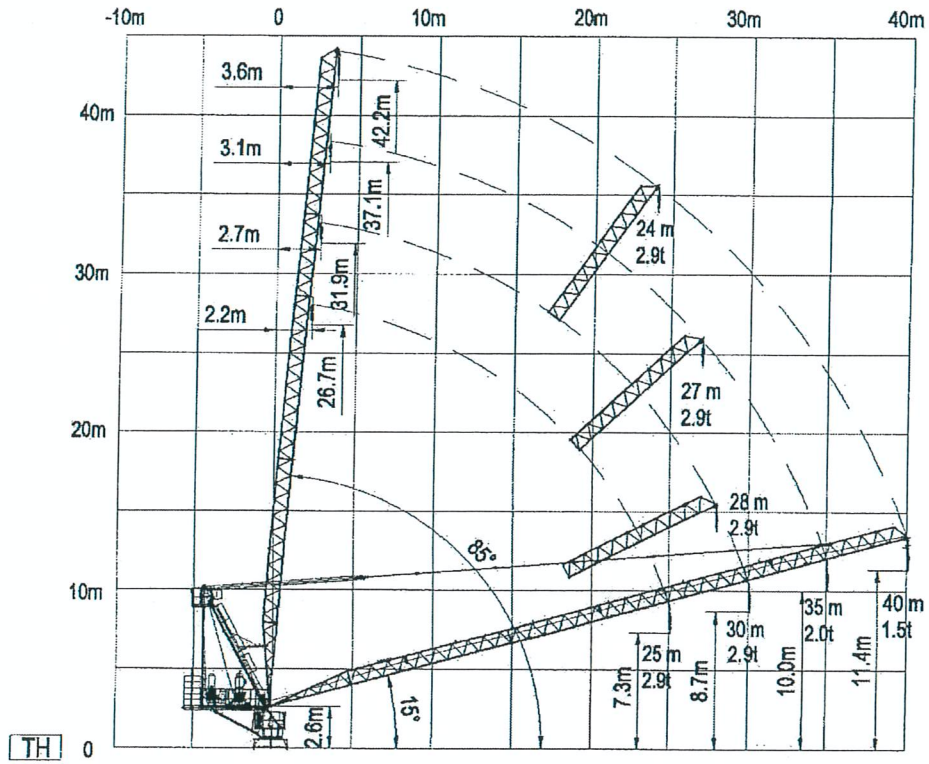


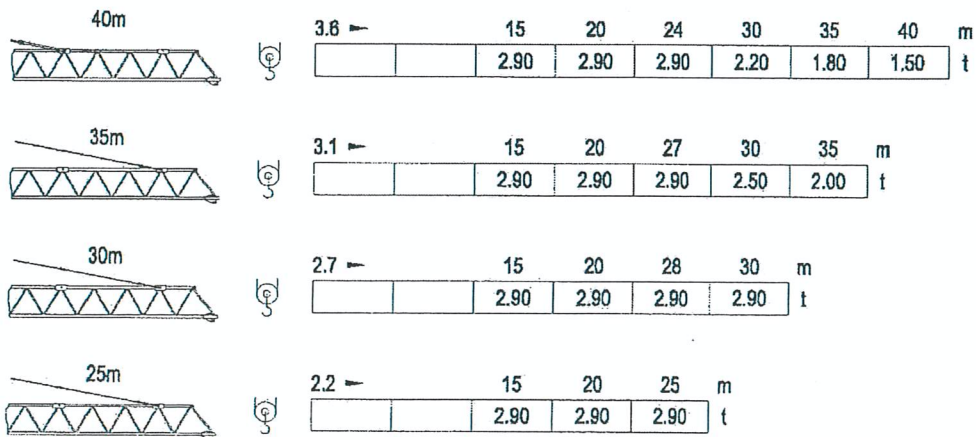
UL4015(JL66-2.9) Luffing Crane

### Jib Lengths, Load diagrams, Speeds

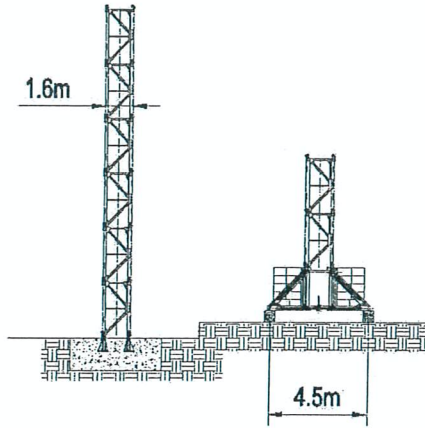
#### Luffing Jib



#### Load Diagrams



## Tower

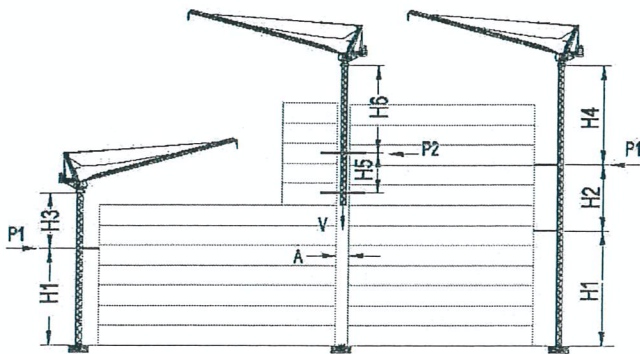


Tower configuration

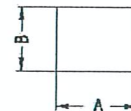
Basic	Mast	TH(m)	Jib reach(m)
1	11	39.15	35m, 40m
1	12	42.15	~ 30m

## Climbing

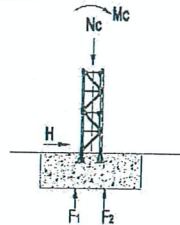
External  
Internal  
(example only)



Tower	m	In service	out of service
		t	t
H1	31.5		
H2	15.0		
H3	24.0		
H4	24.0		
H5	9.0		
H6	15.5		
P1	-	11.2	32.4
P2	-	21.8	18.3
V	-	41.6	34.2
A	2.2		
B	1.8		



### Foundation



Tower	HT(m)	Jib reach(m)	Foundation loading			Corner forces	
						$F_1$ (kN)	$F_2$ (kN)
	39.15	35~40	2855	324	95.3	- 1265	1427
	42.15	~30					

### Mechanisms Specification

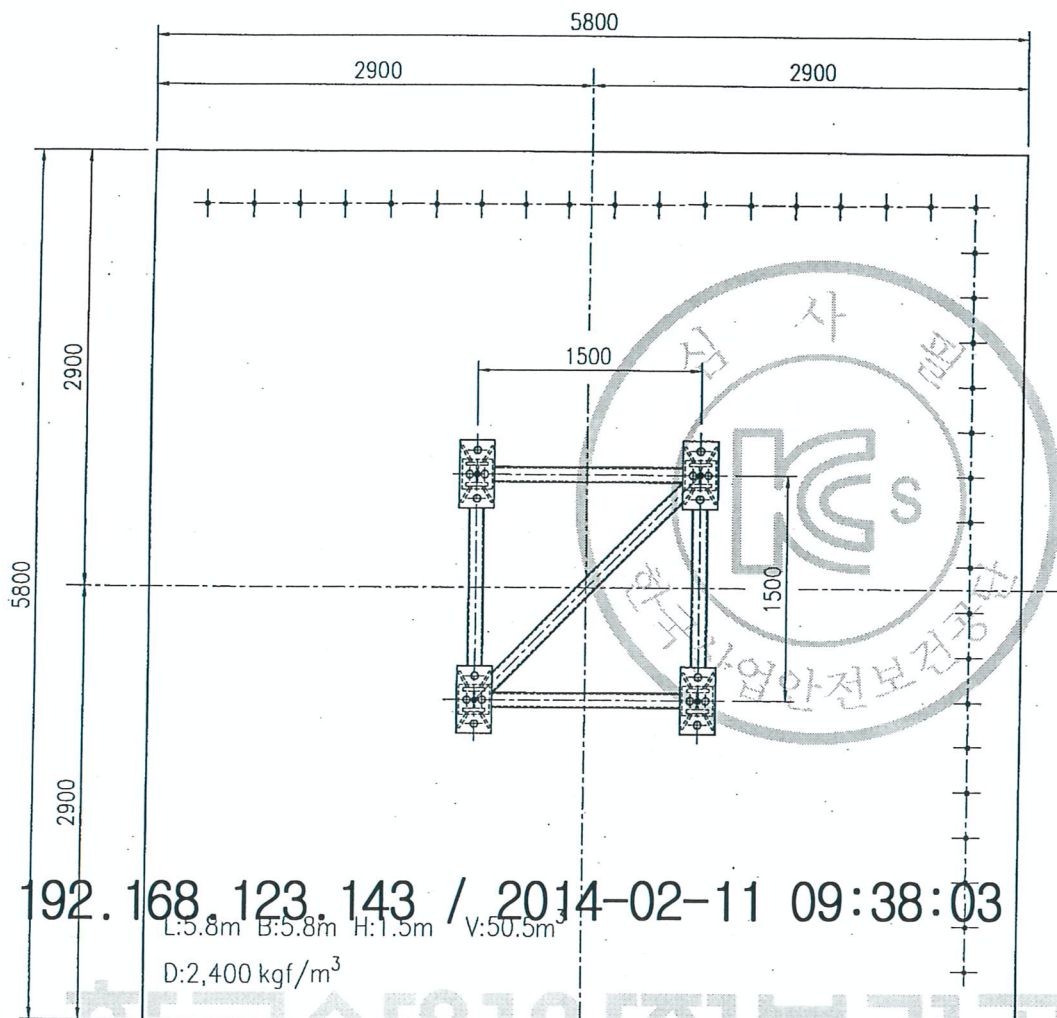
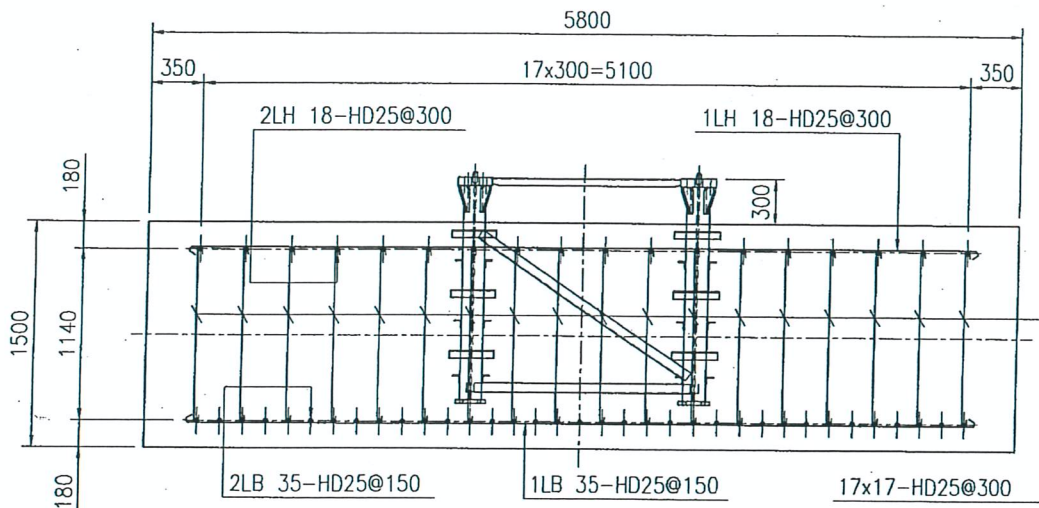
Mechanisms Specification				⊙			⊗			⊠	KW
Hoisting	⬆	24LFV15Q1L	m / min	80	60	40	40	30	20	420 m	24
			t	1.5	2.2	3.0	3.0	4.4	6.0		
Luffing	↗	18LVF22	min	15°~85° t=2.0						18.5	
Slewing	⦿	5RVF	r / min	0.70						5.5	
Power Supply				380V 50Hz / 440V 60Hz							
Necessary Electric Power				50 KVA							

\*Relative parameter might be adjusted. Final parameter is subject to its instruction manual.

- Head Office (Korea) :  
#533 The O Valley Hoguey-dong, Dongan-gu, Anyang-si, Gyeonggi-do, Korea  
TEL +82 31 4579327 FAX +82 31 4579040 Email info@tcprotech.net
- Branch Office (Philippines) :  
Unit 1801 Prestige Bldg. Emerald Ave. Ortigas, Metro Manila, Philippines  
TEL +63 2 2156722 CellPhone +63 917 8251004 Email info@tcprotech.net



FOUNDATION CONCRETE BLOCK - JL66-2.9



192.168.123.143 / 2014-02-11 09:38:03

L:5.8m B:5.8m H:1.5m V:50.5m<sup>3</sup>

D:2,400 kgf/m<sup>3</sup>