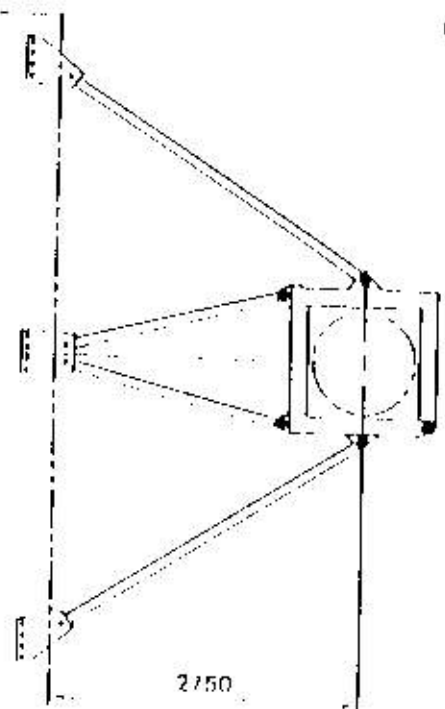
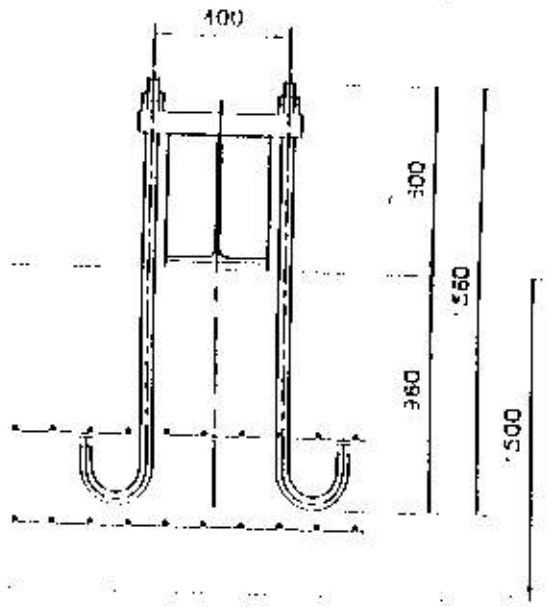
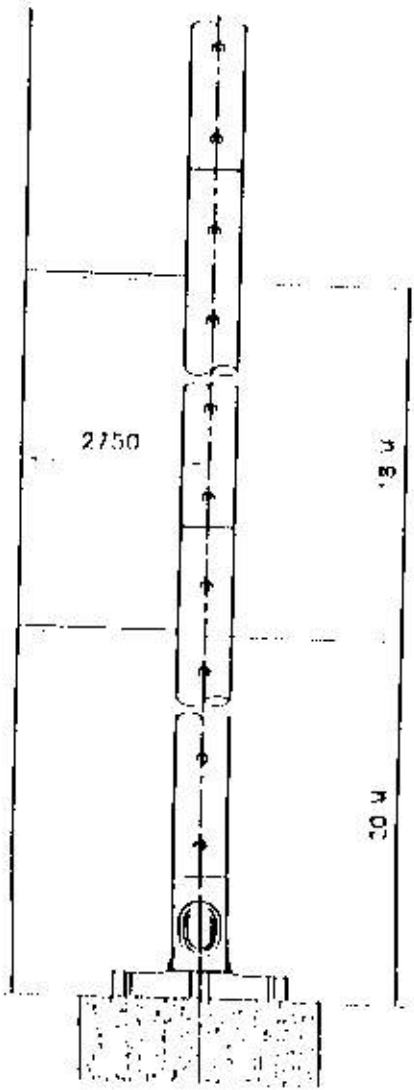
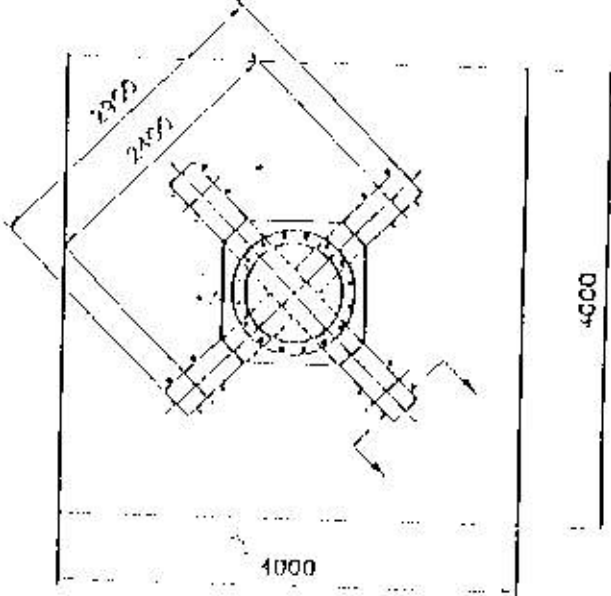


■ 사 양



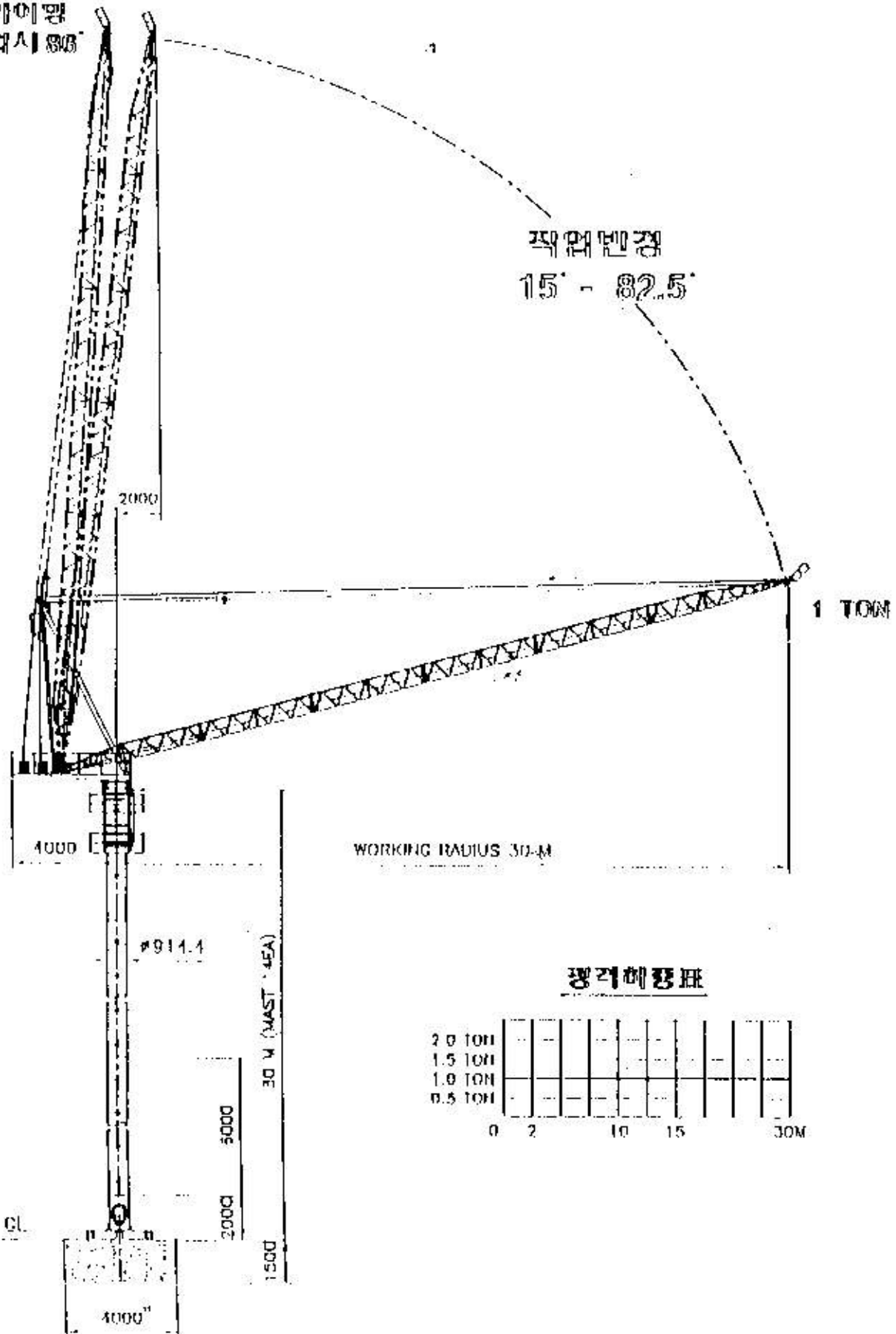
회전속도	110R
회전속도	30R
회전속도	110R
회전속도	20 R/MIN
회전속도	9.75 KW (4P/HP)
회전속도	22.5 /MIN (9.3H / MIN)
회전속도	5.5 KW (4P)
회전속도	0.36 R.P.H
회전속도	0.75 KW (6P)
회전속도	회전속도
회전속도	1.17 R/MIN
회전속도	914.4 x 6H / PCS
회전속도	1060 KG
회전속도	과부하방지장치, 과광방지장치 기어차단장치, 안전제동장치 사출방지장치
회전속도	380V 3W 60HZ
회전속도	대형교포, 대형인양포



DJC - 1030 JIB CRANE

크라이머
작업시 80°

작업범경
15° - 82.5°





DAIJUNG JIB CRANE

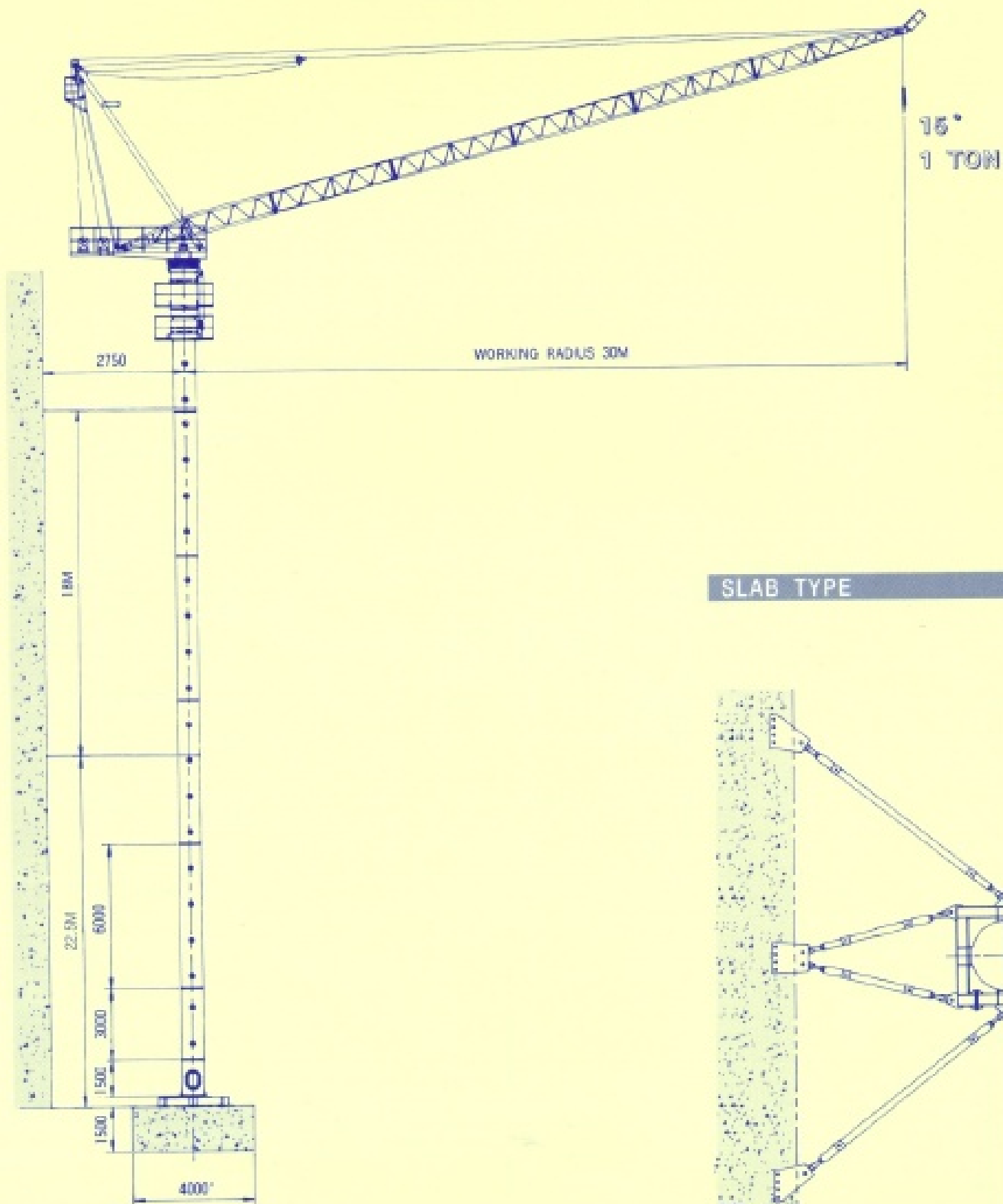


DJC 1030

DAIJUNG MACHINERY & INDUSTRY CO., LTD.

DJC 1030

LO

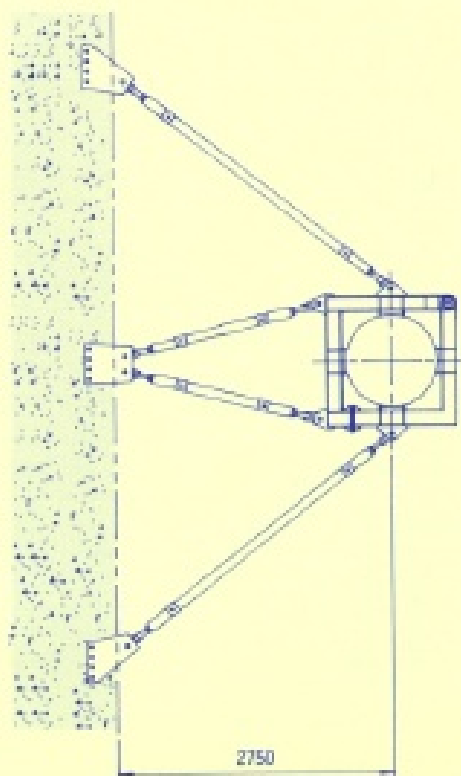


80° 82

2.0 TON	
1.5 TON	
1.0 TON	
0.5 TON	

0 2

SLAB TYPE

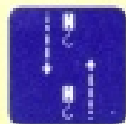




MAX. HEIGHT
110M



WORKING RADIUS
30M



HOISTING
20M / MIN.



LOADING CAPACITY
1TON

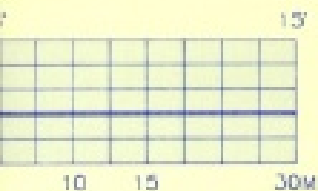


LUFFING
9.° / MIN

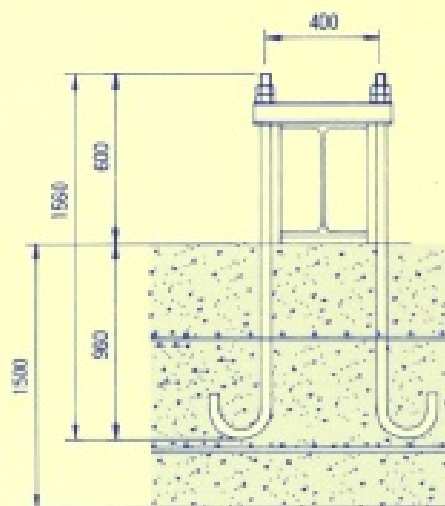
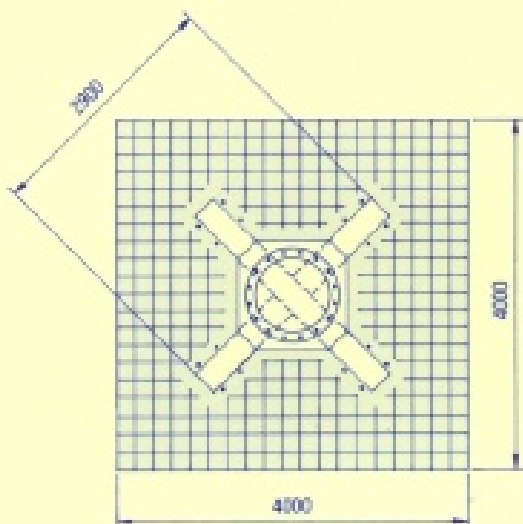


SLEWING
0.7° R.P.M

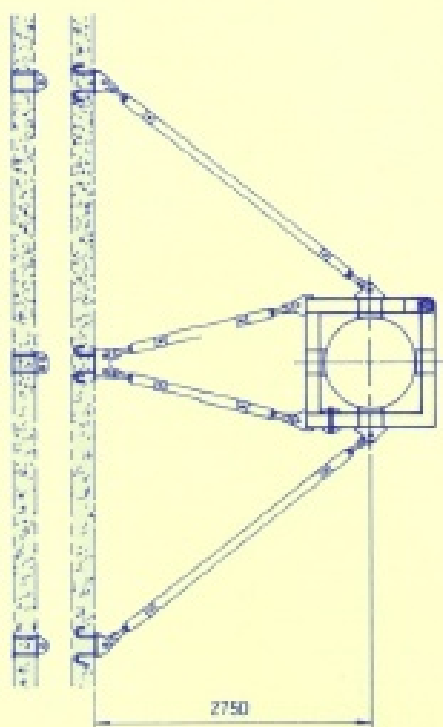
LOADING TABLE



FOUNDATION



WALL TYPE



CRANE SPECIFICATION

DESCRIPTION		SPECIFICATION
LOADING CAPACITY		1 TON
WORKING RADIUS		30 M
MAX. HEIGHT		110 M
POWER	HOISTING	9.7 Kw
	LUFFING	5.5 Kw
	SLEWING	0.7 Kw
SPEED	HOISTING	20 M / MIN.
	LUFFING	22.1° / MIN. (9.1° / MIN.)
	SLEWING	0.7° RPM
MAST	WEIGHT	1,890 Kg
	DIMENSION	1914.1 × 6,000 L / EA
POWER SOURCE	380V · 3PH · 60Hz	
CLIMBING METHOD	HYDRAULIC TYPE	
SAFETY SYSTEM	<ul style="list-style-type: none"> • OVER LOAD LIMIT S/W • HOOK OVER RUNNING LIMIT S/W • UP-DOWN LUFFING LIMIT S/W • SLEWING LIMIT S/W 	

DJC1030

DESCRIPTION		Q'TY	WEIGHT
BASE FRAME	BASE FRAME	1	1,250Kg
BODY	SLEWING FRAME	1	
	LADDER	1	
	SLEWING GEAR	1	
	SLEWING STAND	1	
	CONTROL PANEL	1	
	LUFFING WINCH(5.5Kw)	1	
	LUFFING WIRE('12)	110M	
	GANTRY FRONT	1	
	GANTRY REAR	1	
	HOISTING WINCH(9.75Kw)	1	
	HOISTING WIRE ROPE('10)	220M	
	SUB TOTAL		5,156Kg
J I B (BOOM)	LOWER BOOM	1	
	CENTER BOOM	4	
	TOP BOOM	1	
	LUFFING BLOCK	2	
	PENDANT WIRE('16)	2	
	HOOK BLOCK(2'')	1	
	SUB TOTAL		2,044Kg
CLIMBING UNIT	TOP & BOTTOM CLIMBING ASS'Y	1	1,910Kg
MAST	STD.MAST('914x6M)	1	1,860Kg
	LOWER MAST('914x3M)	1	930Kg
	BOTTOM MAST('914x1.5M)	1	500Kg

* Specifications contained herein are subject to change without notice