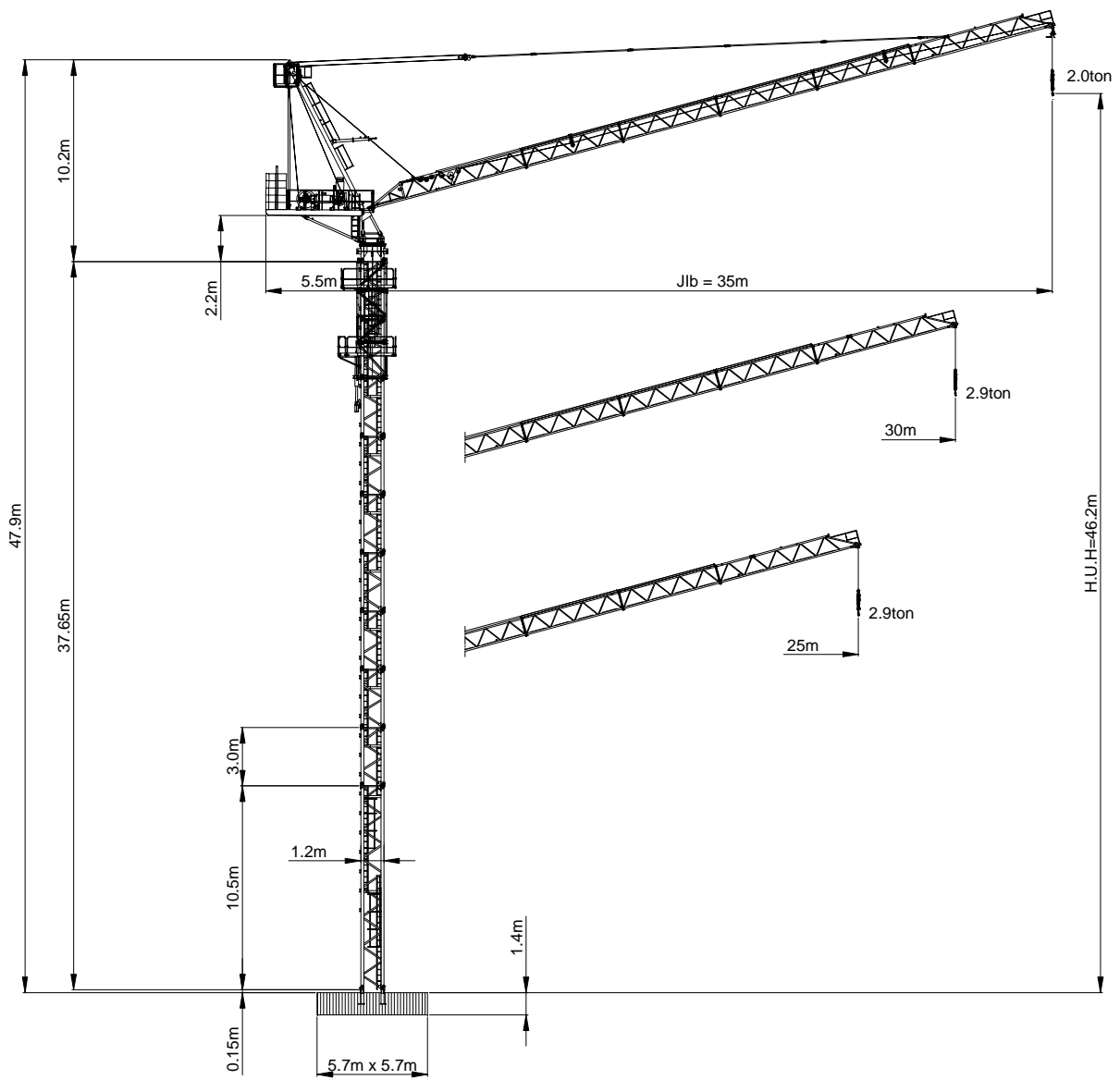


GHD3520

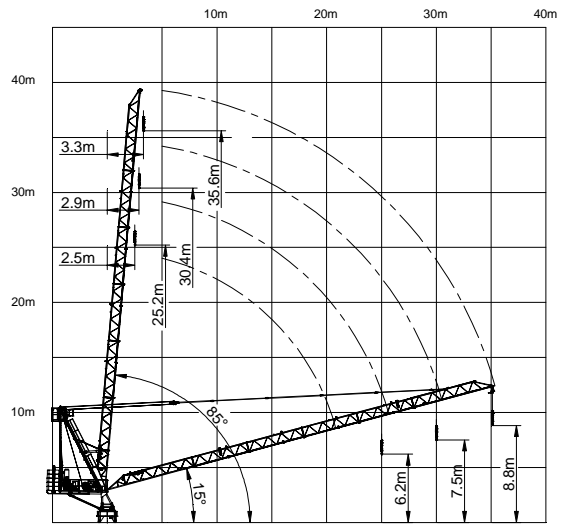
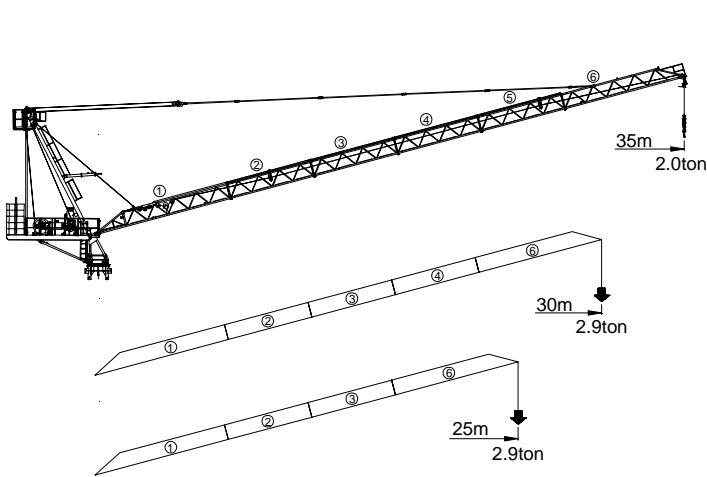
WIRELESS REMOTE CONTROL

Luffing tower crane

DoDo INTERNATIONAL



Jib combination / Radius & Hoisting height



Mechanism

	Hoist winch(INVERTER)				
				Motor power	
	m/min	77.0	40.0	24.0	400m
ton	1.0	1.5	2.9		
	Luffing Winch(INVERTER)			Slewing machinery	
	24kW 2.5min			5.5kW 0.68rpm	
Power supply	3ph×380V×60Hz	Control circuit	24Vdc, 220Vac	Power consumption	57kVA

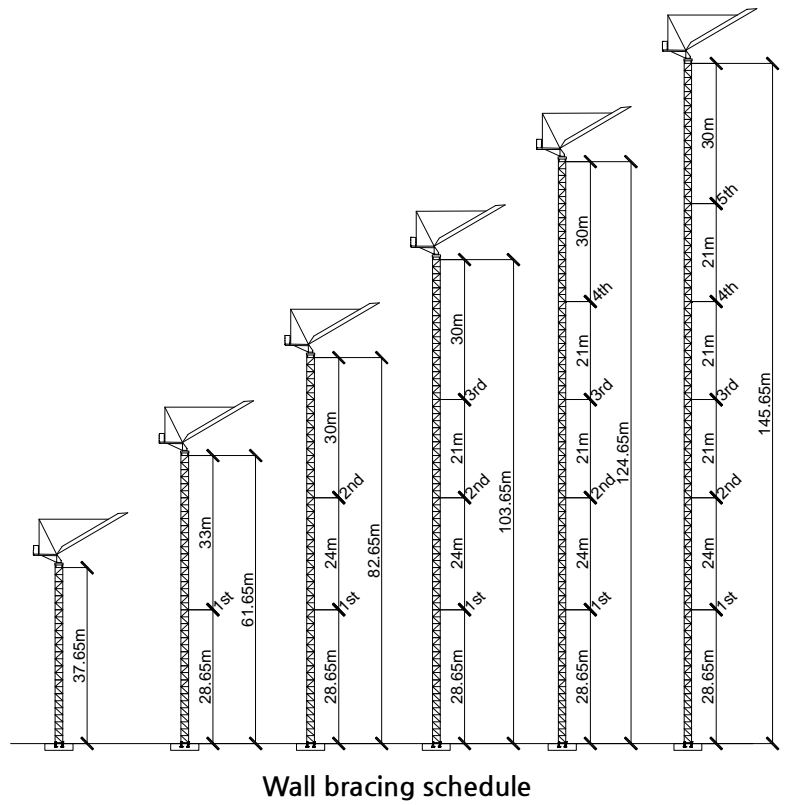
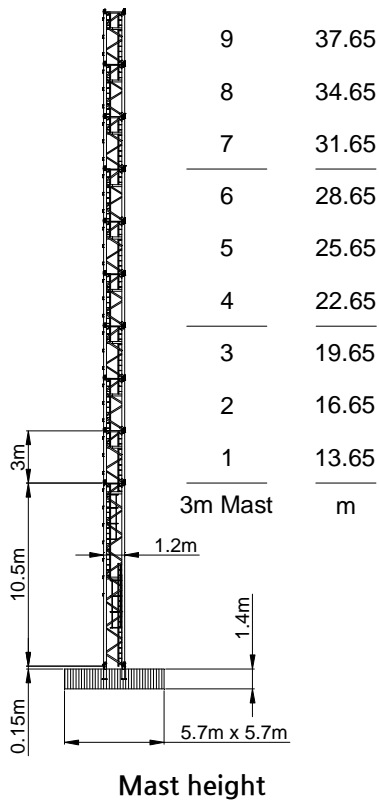
Load Capacity

JIB Length	hook		10	14.6	20	25	29.1	35	m
35m	2fall	2.90	2.90	2.90	2.90	2.50	2.50	2.00	t

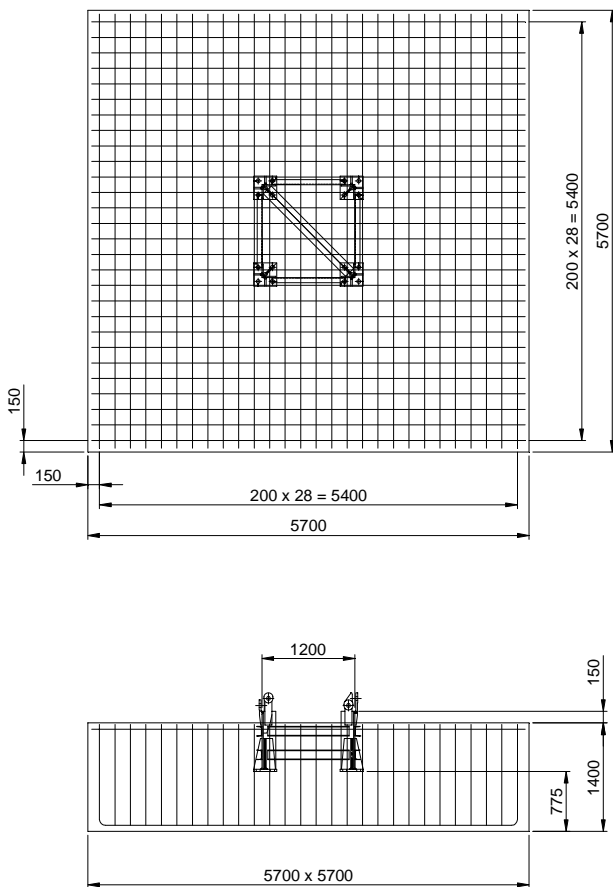
JIB Length	hook		10	15	19.1	25	30	m
30m	2fall	2.90	2.90	2.90	2.90	2.90	2.90	t

JIB Length	hook		10	15	19.5	25	m
25m	2fall	2.90	2.90	2.90	2.90	2.90	t

Mast height & Wall bracing schedule

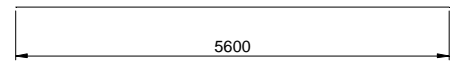


Foundation

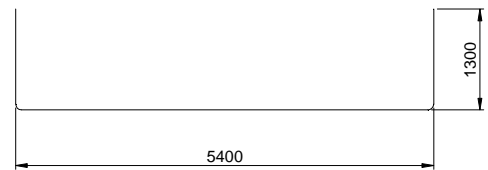


UNIT : mm

56
01 TOP ARRANGEMENT(HD10)



56
02 BOTTOM ARRANGEMENT(HD20)



NOTE

- 본 기초 배근도는 GHD3520 JIB35M, MAST HEIGHT 37.65m 사양 기초배근도임.
- 이름 길이는 상기 치수 이상으로 할 것.

CONCRETE VOLUME	65.48m ³
GRAVITY OF CONCRETE	2400kg/m ³
STRENGTH OF CONCRETE GRADE	240kg/cm ²
BEARING POWER OF THE SOIL (Pmax)	20tonf/m ²

Packing List

No.	Description	Sketch	L(m)	W(m)	H(m)	Weight per piece(ton)	Q'ty
1	Jib Section 1		8.5	0.9	1.1	620	1
2	Jib Section 2		5.18	0.9	1.0	290	4
3	Jib Section 3		7.5	0.9	1.0	480	1
4	Cradle of top tower		7.1	0.95	0.4	527	1
5	Top tower		8.7	0.9	0.6	1108	1
6	Turn table		1.4	1.6	2.1	1400	1
7	Tripod		1.1	1.1	1.6	421	1
8	Hoist winch		1.02	1.2	1.7	1500	1
9	Luffing winch		2.13	1.2	1.04	1500	1
10	Counter jib		5.1	1.16	0.54	1560	1
11	Support bar of Counter jib		3.2	0.1	0.2	82	2
12	Counter weight block		2.25	0.34	1.05	2000	5
13	Hook block		0.73	0.2	1.4	200	1
14	Damper		2.35	1.0	0.25	184	1
15	Jib Tie-bar		3.25	0.068	0.12	50	2
			5.0	0.068	0.12	72	3
			1.25	0.138	0.12	26	1
16	10.5m Basic Mast		10.5	1.2	1.2	2700	1
17	3m Mast		3.0	1.2	1.2	750	9
18	Climbing cage		6.26	1.62	1.58	3400	1

* 본 사양은 변경될 수 있습니다.